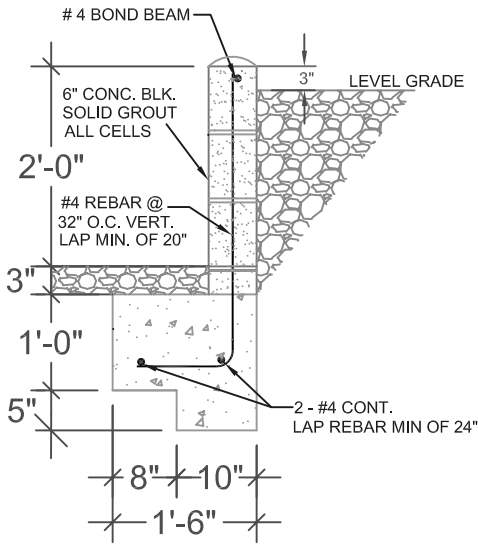
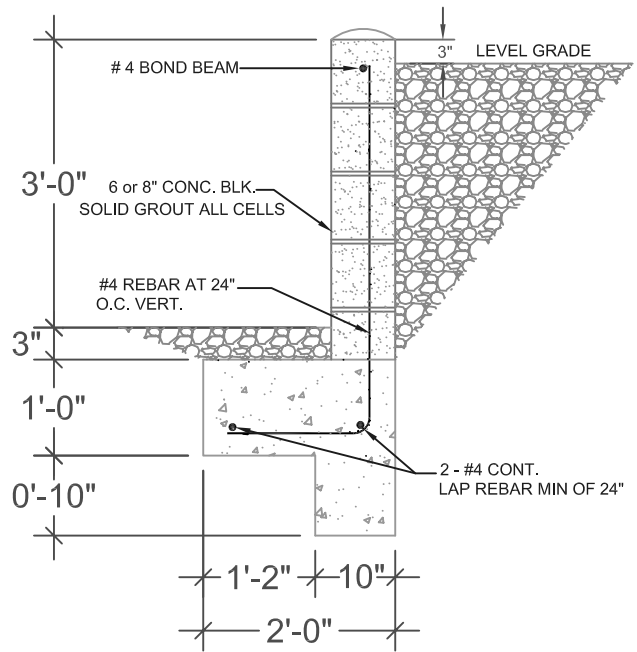


2' HIGH RET. WALL

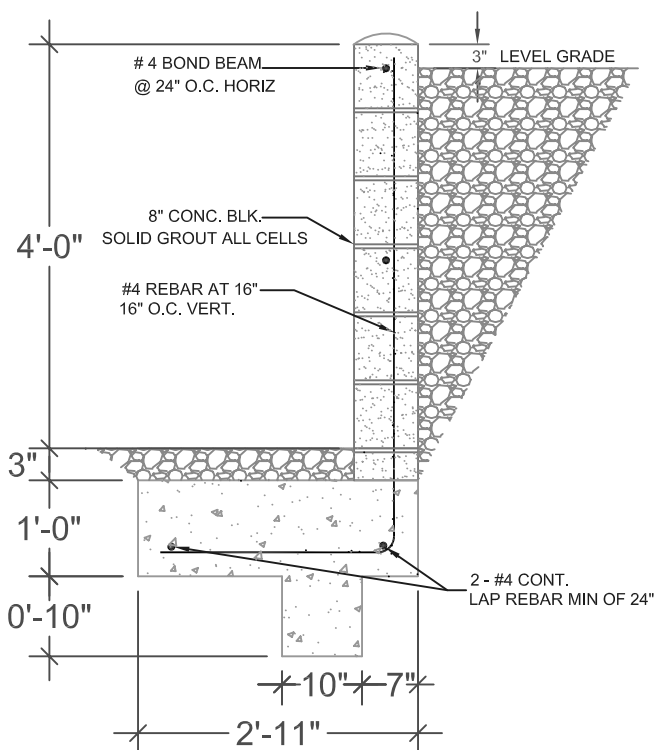


3' HIGH RET. WALL

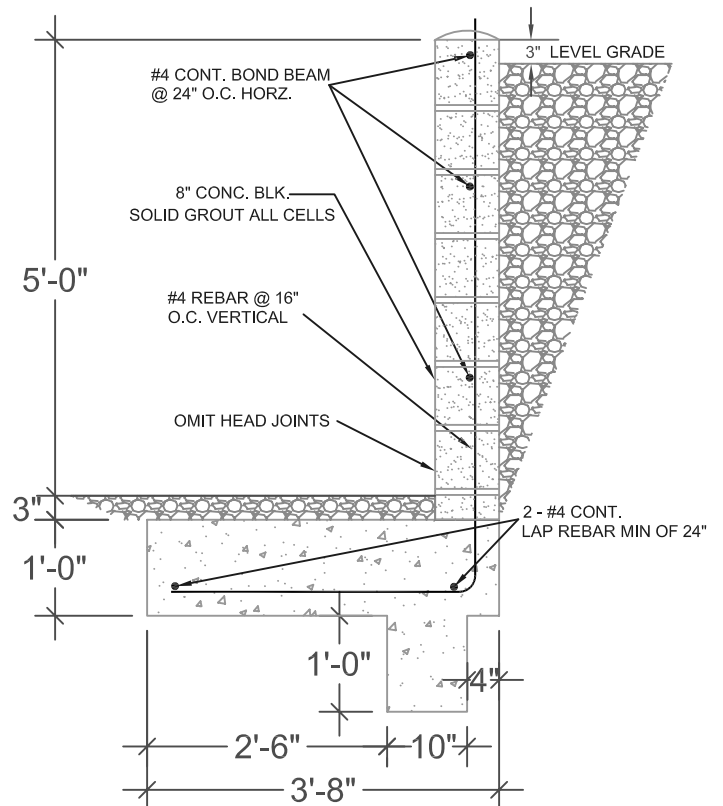


LAP ALL REBAR MIN. 24"

4' HIGH RET. WALL



5' HIGH RET. WALL



ALL STEEL SHALL BE
A MINIMUM OF 3"
FROM EARTH



Development Department
Building Division

2 FT. TO 5 FT. HIGH RETAINING
WALL. FOOTING AWAY
FROM FILL GRADE LEVEL

14343 Civic Drive
Victorville, CA 92393

(760) 955-5100
Fax (760) 269-0072

06/14/2011