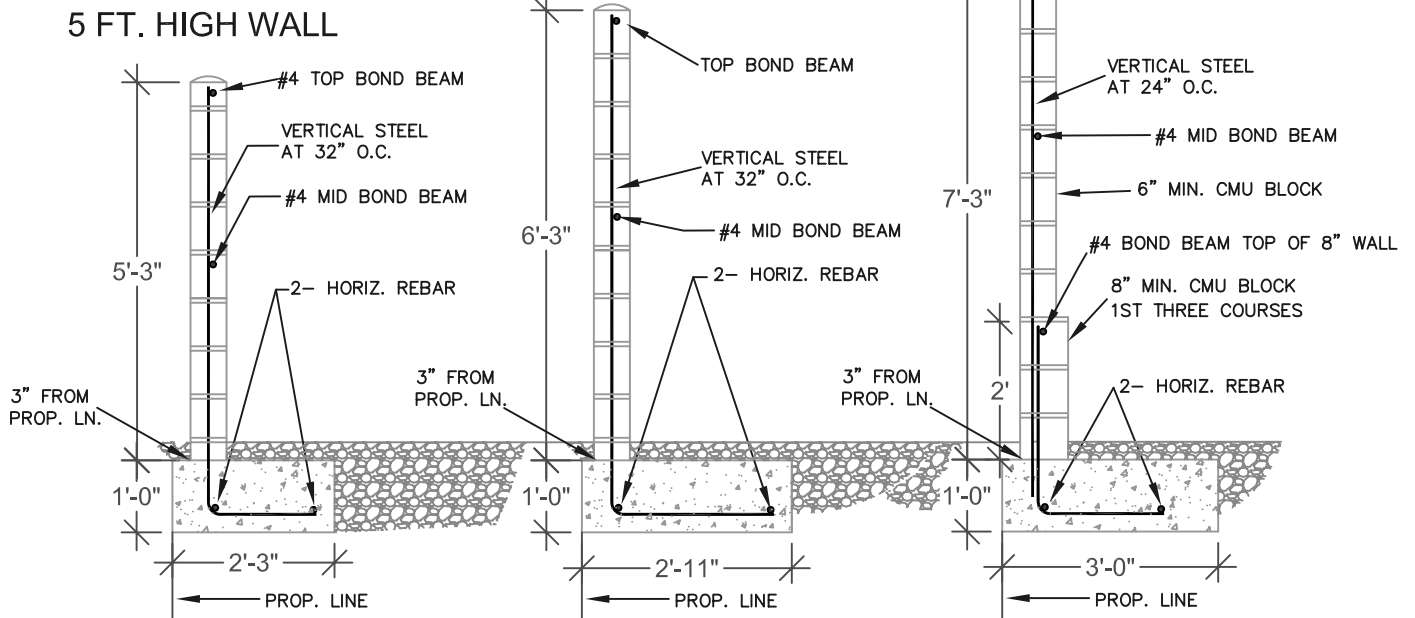
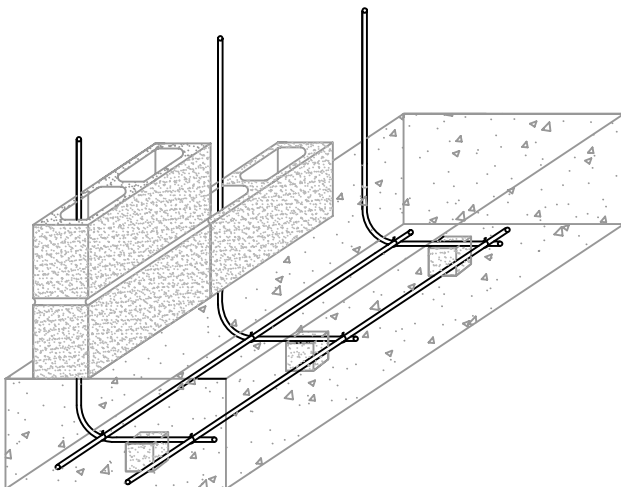


**ALL STEEL SHALL BE
A MINIMUM OF 3"
FROM EARTH**



FOOTING DETAIL



NOTES:

1. 6" min. CMU block except 7' walls.
2. All rebar to be #4 min. (1/2" dia.).
3. Lap all rebar Min. 24".
4. Min. 3" clearance from rebar to earth.
5. Grout all cells containing rebar.
6. 3" cover of earth from top of footing.
7. Bond beam shall be vertically spaced 48" o.c. for 6" CMU and shall be vertically spaced 32" o.c. for 8" CMU



**Development Department
Building Division**

GARDEN WALL ON PROP. LINE

14343 Civic Drive
Victorville, CA 92393

(760) 955-5100
Fax (760) 269-0072

JUNE 14, 2011