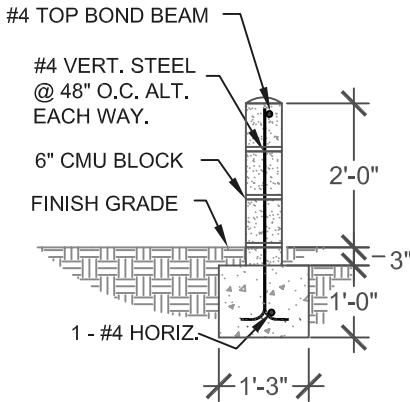
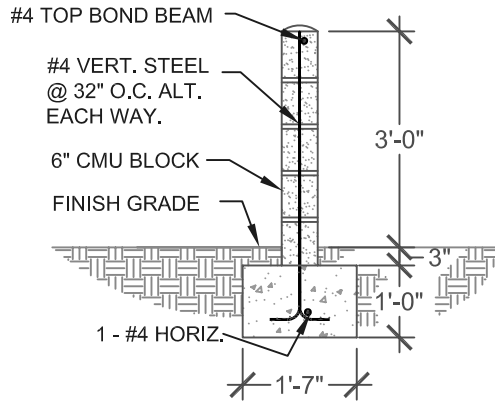


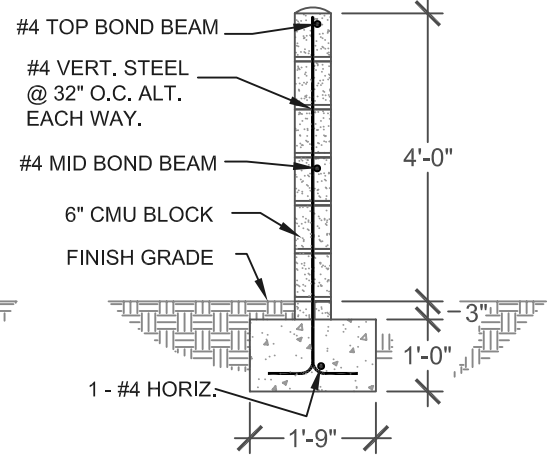
2 FT. HIGH WALL



3 FT. HIGH WALL

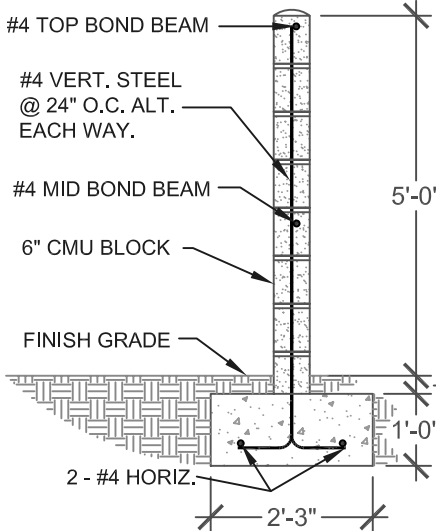


4 FT. HIGH WALL

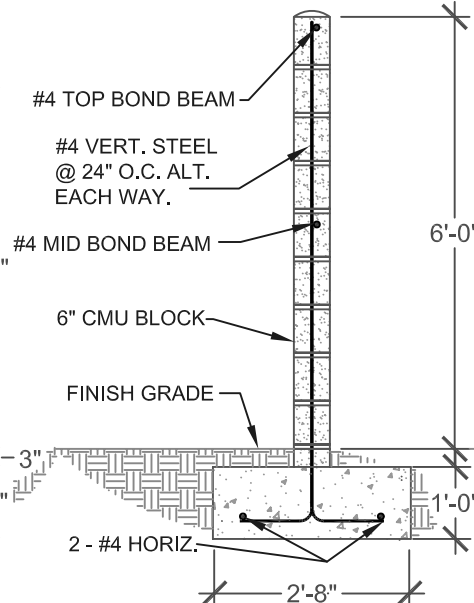


ALL STEEL SHALL BE
A MINIMUM OF 3"
FROM EARTH

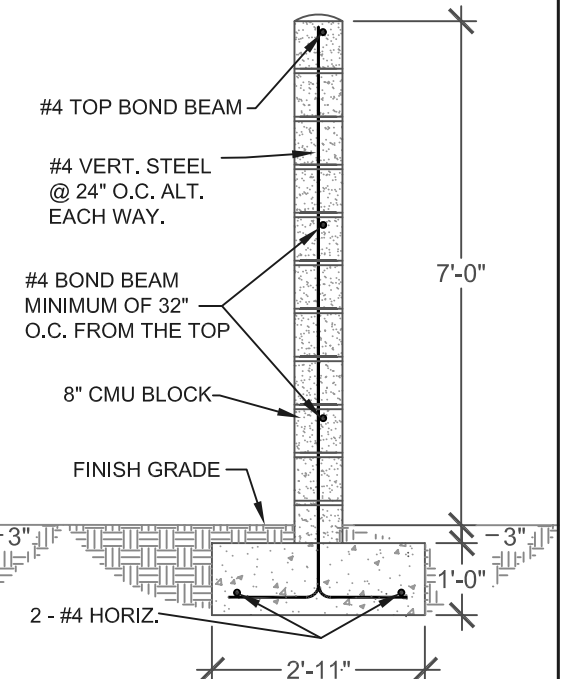
5 FT. HIGH WALL



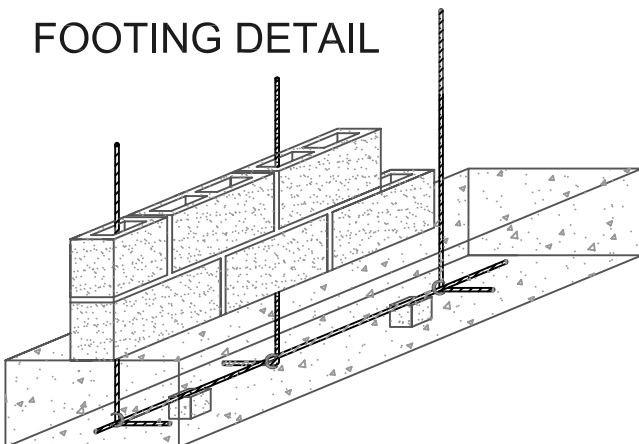
6 FT. HIGH WALL



7 FT. HIGH WALL



FOOTING DETAIL



NOTES:

1. 6" min. CMU block.
2. All rebar to be #4 min. (1/2" dia.).
3. Lap all rebar Min. 24".
4. Min. 3" clearance from rebar to earth.
5. Grout all cells containing rebar.
6. 3" cover of earth from top of footing.
7. Bond beam shall be vertically spaced 48" o.c. for 6" CMU and shall be vertically spaced 32" o.c. for 8" CMU



Development Department
Building Division

GARDEN WALL
FOOTING CENTERED

14343 Civic Drive
Victorville, CA 92393

(760) 955-5100
Fax (760) 269-0072

JUNE 14, 2011