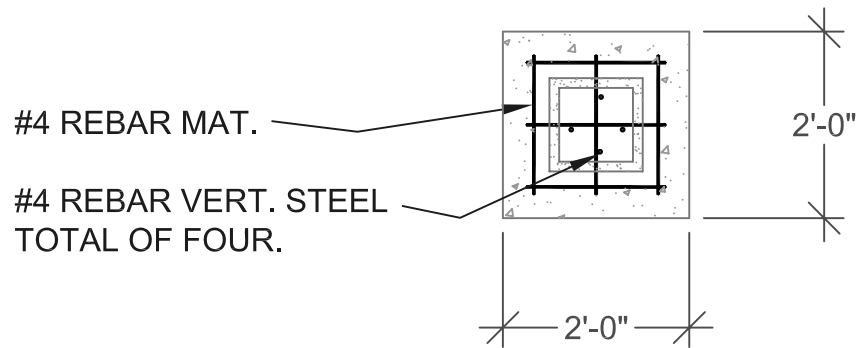


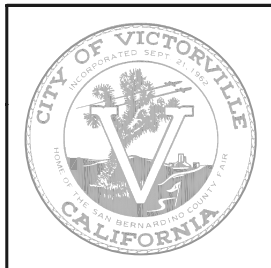
TOP VIEW OF FOOTING



NOTES:

1. SOLID GROUT COLUMN.
2. LAP REBAR MIN. OF 24"
FOR #4 REBAR.
3. MIN. 3" CLEARANCE FROM
REBAR TO EARTH.

**ALL STEEL SHALL BE
A MINIMUM OF 3"
FROM EARTH**



| | | |
|---|--------------------------------------|------------|
| Development Department Building Division | | |
| 4' TO 6' HIGH SQUARE MASONRY COLUMN | | |
| 14343 Civic Drive Victorville, CA 92393 | (760) 955-5100 Fax (760) 269-0072 | 09/19/2011 |